

# VFD31ESSRWW

GE® Commercial 7.7 cu. ft. Capacity Electric Dryer with Built-In App-Based Payment System, Coin Compatible\*



## DIMENSIONS AND INSTALLATION INFORMATION (IN INCHES)

**EXHAUST OPTION:** 4-way rear, right, left and bottom

**CIRCUIT REQUIREMENTS:** An individual, properly-grounded branch circuit, protected by a 30-amp circuit breaker or a time-delay fuse, is required.

**NOTE:** Dryer wall outlet must be located within 36" of service cord entry and accessible when dryer is mounted in position.

**INSTALLATION INFORMATION:** For complete information, see installation instructions packed with your dryer. A reliable WiFi network is required.

\*Please visit [GEAppliances.com/commerciallaundry](http://GEAppliances.com/commerciallaundry) to begin account set up prior to unit delivery

| ELECTRIC DRYER RATING: |       |     |      |
|------------------------|-------|-----|------|
| 240V                   | 5600W | 24A | 60Hz |
| 208V                   | 4400W | 22A | 60Hz |

## SPECIAL INSTALLATION REQUIREMENTS

### ALCOVE OR CLOSET INSTALLATION:

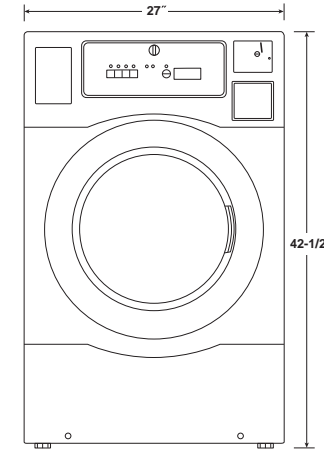
- If your dryer is approved for installation in an alcove or closet, it will be stated on a label on the dryer back.
- The dryer **MUST** be exhausted to the outside.
- Minimum clearances between dryer cabinet and adjacent walls or other surfaces are: 0" either side; 1" front, top and rear
- Closet doors must be louvered or otherwise ventilated and must contain a minimum of 60 sq. in. of open area equally distributed. If this closet contains both a washer and a dryer, doors must contain a minimum of 120 sq. in. of open area equally distributed.
- No other fuel-burning appliance shall be installed in the same closet with a gas dryer.
- The installation must conform with the local codes, or in the absence of local codes, with the National Electric Code and National Fuel Gas Code, ANSI Z223 for gas dryers.

### MINIMUM CLEARANCES OTHER THAN ALCOVE OR CLOSET INSTALLATION:

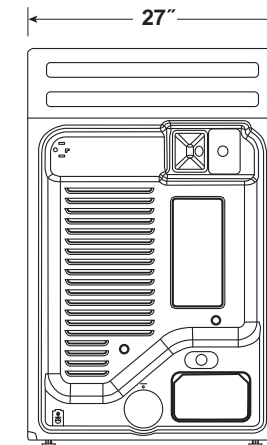
- Minimum clearances to combustible surfaces are: 0" both sides; 1" rear

### DRYER EXHAUSTING INFORMATION:

Use metal duct only, vertical and horizontal ducting.



Front view



Back view



\*Coin accessories sold separately.  
For answers to your GE Commercial Laundry product questions, visit our website at [www.geappliances.com/commerciallaundry](http://www.geappliances.com/commerciallaundry).



Specification Revised 2/24

# VFD31ESSRWW

## GE® Commercial 7.7 cu. ft. Capacity Electric Dryer with Built-In App-Based Payment System, Coin Compatible\*

**FOR COMPLETE INFORMATION, SEE INSTALLATION INSTRUCTIONS PACKED WITH YOUR DRYER.**

### DUCTING MATERIALS:

For best performance, this dryer should be vented with 4" diameter all rigid metal exhaust duct. If rigid metal duct cannot be used, then UL-listed flexible metal (semi-rigid) ducting can be used (Kit WX08X10077). In special installations, it may be necessary to connect the dryer to the house vent using a flexible metal (foil-type) duct. A UL-listed flexible metal (foil-type) duct may be used **ONLY** in installations where rigid metal or flexible metal (semi-rigid) ducting cannot be used **AND** where a 4" diameter can be maintained throughout the entire length of the transition duct. Please see installation instruction packed with your dryer for complete instructions when using flexible metal (foil type) ducting.

### EXHAUST LENGTH CALCULATION:

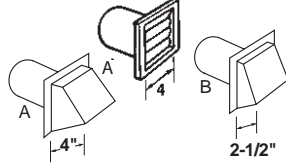
1. Determine the number of 90° turns needed for your installation. If you exhaust to the side or bottom of dryer, add one turn.
2. The maximum length of 4" rigid (aluminum or galvanized) duct which can be tolerated is shown in the table. A turn of 45° or less may be ignored. Two 45° turns within the duct length should be treated as a 90° elbow. A turn over 45° should be treated as a 90° elbow.

Dryers **must** be exhausted to the outside.

**CAUTION:** For personal safety do not terminate exhaust into a chimney, under any enclosed house floor (crawl space), or into an attic, since the accumulated lint could create a fire hazard or moisture could cause damage. Never terminate the exhaust into a common duct or plenum with a kitchen exhaust, since the combination of lint and grease could create a fire hazard.

Exhaust ducts should be terminated in a dampered wall cap to prevent back drafts, bird nesting, etc. The wall cap must also be located at least 12" above the ground or any other obstruction with the opening pointed down.

### DRYER EXHAUSTING INFORMATION— USE METAL DUCT ONLY VERTICAL AND HORIZONTAL DUCTING



| BEST PERFORMANCE                          |                     |                 |                     |
|---|---------------------|-----------------|---------------------|
| Maximum length of 4" dia rigid metal duct |                     |                 |                     |
| Exhaust hood type                         |                     |                 |                     |
|   | Number of 90° turns | A<br>4" opening | B<br>2-1/2" opening |
| Domestic dryer models                     | 0                   | 120 ft.         | 90 ft.              |
|   | 1                   | 100 ft.         | 75 ft.              |
|   | 2                   | 85 ft.          | 65 ft.              |
|   | 3                   | 70 ft.          | 55 ft.              |
|   | 4                   | 60 ft.          | 45 ft.              |
| VTD52                                     | 5                   | 55 ft.          | 35 ft.              |

For every extra 90° elbow, reduce the allowable vent system length by 10 ft.  
Two 45° elbows will be treated like one 90° elbow.  
For the side exhaust installations, add one 90° elbow to the chart.  
When calculating the total vent system length, you must add all the straight portions and elbows of the system (including the transition duct).



\*Coin accessories sold separately.  
For answers to your GE Commercial Laundry product questions, visit our website at [www.geappliances.com/commercialaundry](http://www.geappliances.com/commercialaundry).

# VFD31ESSRWW

GE® Commercial 7.7 cu. ft. Capacity Electric Dryer with Built-In App-Based Payment System, Coin Compatible\*

## FEATURES AND BENEFITS

**Built-In, Coinless Payment System\*\*** - Eliminates the hassle of coins with the easiest, smartest, built-in QR code payment system.

\*\*3rd party processing fees apply

**Launderday™ User App** - Offers tenants and guests a modern laundry experience that saves them time with secure contactless payment, cycle notifications, machine availability status, and more.

**SmartHQ™ Management** - Owner's Dashboard centralizes critical laundry management information, including site revenues, machine status, pricing activities, and refund requests.

**Protected with Microban®** - Antimicrobial technology built into high-touch elements on the control panel.

**7.7 cu. ft. Capacity** - Maximizes revenue with an extra-large capacity that delivers the drying experience that tenants and guests expect.

**Payment Flexibility** - This commercial laundry, with payment flexibility allows for optional acceptance of coin payment, built-in QR payment, or both.

**Up to 120 ft. Venting** - Maximize your dryer's performance with innovative venting, designed to provide optimal airflow, enhanced drying ability, and flexible installation.

**Factory Service Network** - An experienced customer service team and local GE Appliances repair professionals provide service in more than 300 cities nationwide.

Model VFD31ESSRWW - White  
Stack Kit included



Laundry Solutions

Call: (503) 678-1699

info@cascadia-laundry.com

PO Box 433 Donald, OR 97020

### OPTIONAL COIN ACCESSORIES

|           |  |
|-----------|--|
| VFA31SCDT | GE Commercial FL31 double coin drop for standalone units |
| VKAUNICBT | GE Commercial universal coin box                         |

\*Coin accessories sold separately.



Specification Revised 2/24

# VFD31GSSRWW

GE® Commercial 7.7 cu. ft. Capacity Gas Dryer with Built-In App-Based Payment System, Coin Compatible\*



## DIMENSIONS AND INSTALLATION INFORMATION (IN INCHES)

**EXHAUST OPTION:** When viewed from the front of the unit, exhaust 3-way via rear, left and bottom. Dryer is shipped exhausted to the rear. Alternate exhausting knockouts are supplied.

**GAS:** An individual, properly-grounded branch circuit, with a three-prong grounding-type receptacle, protected by a 15-amp circuit breaker or a time-delay fuse is required.

**GAS DRYER ELECTRIC RATING:**  
120V, 60Hz, 6A

**GAS (BTU/HR):** 22,000. Factory-equipped for natural gas. Tested for LP gas. LP gas supply requires a conversion kit. Check installation instructions for correct kit and have a qualified gas technician install a conversion kit. See dryer ducting information for proper installation.

**NOTE:** Dryer wall outlet must be located within 36" of service cord entry and accessible when dryer is mounted in position.

### INSTALLATION INFORMATION:

For complete information, see installation instructions packed with your dryer. A reliable WiFi network is required.

\*Please visit [GEAppliances.com/commerciallaundry](http://GEAppliances.com/commerciallaundry) to begin account set up prior to unit delivery

### SPECIAL INSTALLATION REQUIREMENTS

#### ALCOVE OR CLOSET INSTALLATION:

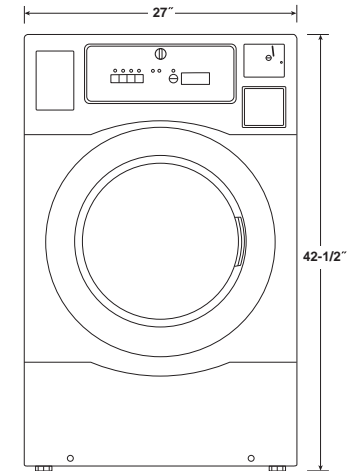
- If your dryer is approved for installation in an alcove or closet, it will be stated on a label on the dryer back.
- The dryer MUST be exhausted to the outside.
- Minimum clearances between dryer cabinet and adjacent walls or other surfaces are:  
0" either side; 1" front, top and rear
- Closet doors must be louvered or otherwise ventilated and must contain a minimum of 60 sq. in. of open area equally distributed. If this closet contains both a washer and a dryer, doors must contain a minimum of 120 sq. in. of open area equally distributed.
- No other fuel-burning appliance shall be installed in the same closet with a gas dryer.
- The installation must conform with the local codes, or in the absence of local codes, with the National Electric Code and National Fuel Gas Code, ANSI Z223 for gas dryers.

#### MINIMUM CLEARANCES OTHER THAN ALCOVE OR CLOSET INSTALLATION:

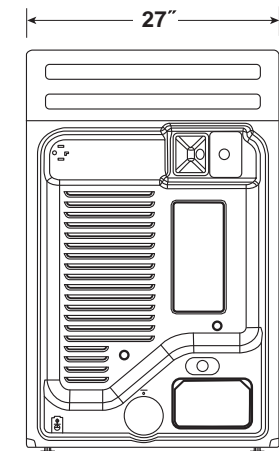
- Minimum clearances to combustible surfaces are:  
0" both sides; 1" rear.

#### DRYER EXHAUSTING INFORMATION:

Use metal duct only, vertical and horizontal ducting.



Front view



Back view



\*Coin accessories sold separately.  
For answers to your GE Commercial Laundry product questions, visit our website at [www.geappliances.com/commerciallaundry](http://www.geappliances.com/commerciallaundry).



Specification Revised 2/24

# VFD31GSSRWW

## GE® Commercial 7.7 cu. ft. Capacity Gas Dryer with Built-In App-Based Payment System, Coin Compatible\*

**FOR COMPLETE INFORMATION, SEE INSTALLATION INSTRUCTIONS PACKED WITH YOUR DRYER.**

### DUCTING MATERIALS:

For best performance, this dryer should be vented with 4" diameter all rigid metal exhaust duct. If rigid metal duct cannot be used, then UL-listed flexible metal (semi-rigid) ducting can be used (Kit WX08X10077). In special installations, it may be necessary to connect the dryer to the house vent using a flexible metal (foil-type) duct. A UL-listed flexible metal (foil-type) duct may be used ONLY in installations where rigid metal or flexible metal (semi-rigid) ducting cannot be used AND where a 4" diameter can be maintained throughout the entire length of the transition duct. Please see installation instruction packed with your dryer for complete instructions when using flexible metal (foil type) ducting.

### EXHAUST LENGTH CALCULATION:

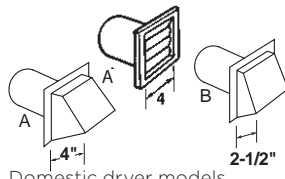
1. Determine the number of 90° turns needed for your installation. If you exhaust to the side or bottom of dryer, add one turn.
2. The maximum length of 4" rigid (aluminum or galvanized) duct which can be tolerated is shown in the table. A turn of 45° or less may be ignored. Two 45° turns within the duct length should be treated as a 90° elbow. A turn over 45° should be treated as a 90° elbow.

Dryers **must** be exhausted to the outside.

**CAUTION:** For personal safety do not terminate exhaust into a chimney, under any enclosed house floor (crawl space), or into an attic, since the accumulated lint could create a fire hazard or moisture could cause damage. Never terminate the exhaust into a common duct or plenum with a kitchen exhaust, since the combination of lint and grease could create a fire hazard.

Exhaust ducts should be terminated in a dampered wall cap to prevent back drafts, bird nesting, etc. The wall cap must also be located at least 12" above the ground or any other obstruction with the opening pointed down.

### DRYER EXHAUSTING INFORMATION— USE METAL DUCT ONLY VERTICAL AND HORIZONTAL DUCTING



|                       |                     | BEST PERFORMANCE                          |                  |
|-----------------------|---------------------|---|------------------|
|                       |                     | Maximum length of 4" dia rigid metal duct |                  |
|                       |                     | Exhaust hood type                         |                  |
| Domestic dryer models | Number of 90° turns | A 4" opening                              | B 2-1/2" opening |
|                       | 0                   | 120 ft.                                   | 90 ft.           |
|                       | 1                   | 100 ft.                                   | 75 ft.           |
|                       | 2                   | 85 ft.                                    | 65 ft.           |
|                       | 3                   | 70 ft.                                    | 55 ft.           |
|                       | 4                   | 60 ft.                                    | 45 ft.           |
| VTD52                 | 5                   | 55 ft.                                    | 35 ft.           |

For every extra 90° elbow, reduce the allowable vent system length by 10 ft.  
Two 45° elbows will be treated like one 90° elbow.  
For the side exhaust installations, add one 90° elbow to the chart.  
When calculating the total vent system length, you must add all the straight portions and elbows of the system (including the transition duct).



\*Coin accessories sold separately.  
For answers to your GE Commercial Laundry product questions, visit our website at [www.geappliances.com/commercialaundry](http://www.geappliances.com/commercialaundry).

# VFD31GSSRWW

## GE® Commercial 7.7 cu. ft. Capacity Gas Dryer with Built-In App-Based Payment System, Coin Compatible\*

### FEATURES AND BENEFITS

**Built-In, Coinless Payment System\*\*** - Eliminates the hassle of coins with the easiest, smartest, built-in QR code payment system.

\*\*3rd party processing fees apply

**Launderday™ User App** - Offers tenants and guests a modern laundry experience that saves them time with secure contactless payment, cycle notifications, machine availability status, and more.

**SmartHQ™ Management** - Owner's Dashboard centralizes critical laundry management information, including site revenues, machine status, pricing activities, and refund requests.

**Protected with Microban®** - Antimicrobial technology built into high-touch elements on the control panel.

**7.7 cu. ft. Capacity** - Maximizes revenue with an extra-large capacity that delivers the drying experience that tenants and guests expect.

**Payment Flexibility** - This commercial laundry with payment flexibility allows for optional acceptance of coin payment, built-in QR payment or both.

**Up to 120 ft. Venting** - Maximize your dryer's performance with innovative venting, designed to provide optimal airflow, enhanced drying ability, and flexible installation.

**Factory Service Network** - An experienced customer service team and local GE Appliances repair professionals provide service in more than 300 cities nationwide.

Model VFD31GSSRWW - White  
Stack Kit included



### OPTIONAL COIN ACCESSORIES

|           |   |
|-----------|---|
| VFA31SCDT | GE Commercial FL31 single coin drop for stand alone units |
| VKAUNICBT | GE Commercial universal coin box                          |

\*Coin accessories sold separately.



Laundry Solutions

Call: (503) 678-1699

info@cascadialaundry.com

PO Box 433 Donald, OR 97020



Specification Revised 2/24

# VFD31EDSRWW

GE® Commercial 7.7 cu. ft. Capacity Electric Dryer with Built-In App-Based Payment System, Coin Compatible\*

## DIMENSIONS AND INSTALLATION INFORMATION (IN INCHES)

**EXHAUST OPTION:** 4-way rear, right, left and bottom

**CIRCUIT REQUIREMENTS:** An individual, properly-grounded branch circuit, protected by a 30-amp circuit breaker or a time-delay fuse, is required.

**NOTE:** Dryer wall outlet must be located within 36" of service cord entry and accessible when dryer is mounted in position.

### INSTALLATION INFORMATION:

For complete information, see installation instructions packed with your dryer. A reliable WiFi network is required. A 6 ft. power cord is required and sold separately. Order WX9X4 for the 3-prong power cord and WX9X20 for the 4-prong power cord.

\*Please visit [GEAppliances.com/commerciallaundry](http://GEAppliances.com/commerciallaundry) to begin account set up prior to unit delivery

| ELECTRIC DRYER RATING: |       |     |      |
|------------------------|-------|-----|------|
| 240V                   | 5600W | 24A | 60Hz |
| 208V                   | 4400W | 22A | 60Hz |

### SPECIAL INSTALLATION REQUIREMENTS

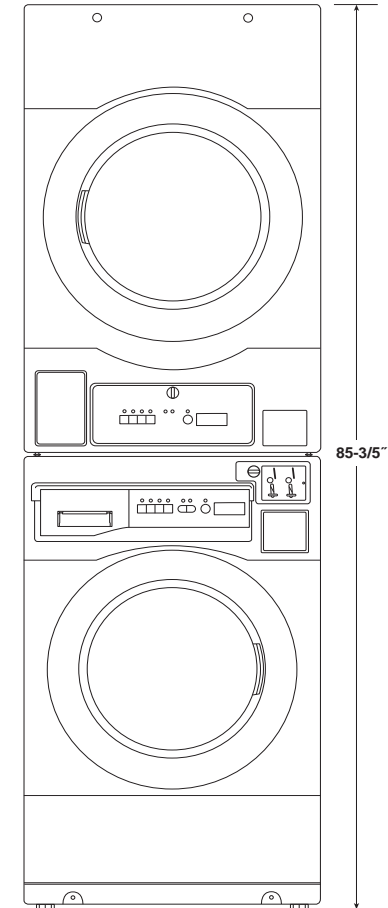
#### ALCOVE OR CLOSET INSTALLATION:

- If your dryer is approved for installation in an alcove or closet, it will be stated on a label on the dryer back.
- The dryer MUST be exhausted to the outside.
- Minimum clearances between dryer cabinet and adjacent walls or other surfaces are: 0" either side; 1" front, top and rear
- Closet doors must be louvered or otherwise ventilated and must contain a minimum of 60 sq. in. of open area equally distributed. If this closet contains both a washer and a dryer, doors must contain a minimum of 120 sq. in. of open area equally distributed.
- No other fuel-burning appliance shall be installed in the same closet with a gas dryer.
- The installation must conform with the local codes, or in the absence of local codes, with the National Electric Code and National Fuel Gas Code, ANSI Z223 for gas dryers.

#### MINIMUM CLEARANCES OTHER THAN ALCOVE OR CLOSET INSTALLATION:

- Minimum clearances to combustibles surfaces are: 0" both sides; 1" rear

#### DRYER EXHAUSTING INFORMATION:



Use metal duct only, vertical and horizontal ducting.



\*Coin accessories sold separately.  
For answers to your GE Commercial Laundry product questions, visit our website at [www.geappliances.com/commerciallaundry](http://www.geappliances.com/commerciallaundry).



Specification Revised 11/22

# VFD31EDSRWW

## GE® Commercial 7.7 cu. ft. Capacity Electric Dryer with Built-In App-Based Payment System, Coin Compatible\*

**FOR COMPLETE INFORMATION, SEE INSTALLATION INSTRUCTIONS PACKED WITH YOUR DRYER.**

### DUCTING MATERIALS:

For best performance, this dryer should be vented with 4" diameter all rigid metal exhaust duct. If rigid metal duct cannot be used, then UL-listed flexible metal (semi-rigid) ducting can be used (Kit WX08X10077). In special installations, it may be necessary to connect the dryer to the house vent using a flexible metal (foil-type) duct. A UL-listed flexible metal (foil-type) duct may be used **ONLY** in installations where rigid metal or flexible metal (semi-rigid) ducting cannot be used **AND** where a 4" diameter can be maintained throughout the entire length of the transition duct. Please see installation instruction packed with your dryer for complete instructions when using flexible metal (foil type) ducting.

### EXHAUST LENGTH CALCULATION:

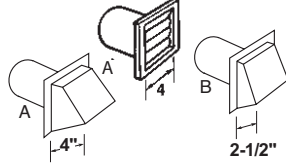
1. Determine the number of 90° turns needed for your installation. If you exhaust to the side or bottom of dryer, add one turn.
2. The maximum length of 4" rigid (aluminum or galvanized) duct which can be tolerated is shown in the table. A turn of 45° or less may be ignored. Two 45° turns within the duct length should be treated as a 90° elbow. A turn over 45° should be treated as a 90° elbow.

Dryers **must** be exhausted to the outside.

**CAUTION:** For personal safety do not terminate exhaust into a chimney, under any enclosed house floor (crawl space), or into an attic, since the accumulated lint could create a fire hazard or moisture could cause damage. Never terminate the exhaust into a common duct or plenum with a kitchen exhaust, since the combination of lint and grease could create a fire hazard.

Exhaust ducts should be terminated in a dampered wall cap to prevent back drafts, bird nesting, etc. The wall cap must also be located at least 12" above the ground or any other obstruction with the opening pointed down.

### DRYER EXHAUSTING INFORMATION— USE METAL DUCT ONLY VERTICAL AND HORIZONTAL DUCTING



| BEST PERFORMANCE                          |                     |                 |                     |
|---|---------------------|-----------------|---------------------|
| Maximum length of 4" dia rigid metal duct |                     |                 |                     |
| Exhaust hood type                         |                     |                 |                     |
|   | Number of 90° turns | A<br>4" opening | B<br>2-1/2" opening |
| Domestic dryer models                     | 0                   | 120 ft.         | 90 ft.              |
|   | 1                   | 100 ft.         | 75 ft.              |
|   | 2                   | 85 ft.          | 65 ft.              |
|   | 3                   | 70 ft.          | 55 ft.              |
|   | 4                   | 60 ft.          | 45 ft.              |
| VTD52                                     | 5                   | 55 ft.          | 35 ft.              |

For every extra 90° elbow, reduce the allowable vent system length by 10 ft.  
Two 45° elbows will be treated like one 90° elbow.  
For the side exhaust installations, add one 90° elbow to the chart.  
When calculating the total vent system length, you must add all the straight portions and elbows of the system (including the transition duct).



\*Coin accessories sold separately.  
For answers to your GE Commercial Laundry product questions, visit our website at [www.geappliances.com/commercialaundry](http://www.geappliances.com/commercialaundry).



# VFD31EDSRWW

GE® Commercial 7.7 cu. ft. Capacity Electric Dryer with Built-In App-Based Payment System, Coin Compatible\*

## FEATURES AND BENEFITS

**Built-In, Coinless Payment System\*\*** - Eliminates the hassle of coins with the easiest, smartest, built-in QR code payment system.

\*\*3rd party processing fees apply

**Launderday™ User App** - Offers tenants and guests a modern laundry experience that saves them time with secure contactless payment, cycle notifications, machine availability status, and more.

**SmartHQ™ Management** - Owner's Dashboard centralizes critical laundry management information, including site revenues, machine status, pricing activities, and refund requests.

**Protected with Microban®** - Antimicrobial technology built into high-touch elements on the control panel.

**7.7 cu. ft. Capacity** - Maximizes revenue with an extra-large capacity that delivers the drying experience that tenants and guests expect.

**Payment Flexibility** - This commercial laundry, with payment flexibility allows for optional acceptance of coin payment, built-in QR payment, or both.

**Up to 120 ft. Venting** - Maximize your dryer's performance with innovative venting, designed to provide optimal airflow, enhanced drying ability, and flexible installation.

**Factory Service Network** - An experienced customer service team and local GE Appliances repair professionals provide service in more than 300 cities nationwide.

Model VFD31EDSRWW - White



Call: (503) 678-1699

info@cascadialaundry.com

PO Box 433 Donald, OR 97020

### OPTIONAL COIN ACCESSORIES

|           |   |
|-----------|---|
| VFA31DCDT | GE Commercial FL31 double coin drop for stacked units |
| VKAUNICBT | GE Commercial universal coin box                      |

\*Coin accessories sold separately.

# VFD31GDSRWW

GE® Commercial 7.7 cu. ft. Capacity Gas Dryer with Built-In App-Based Payment System, Coin Compatible\*



## DIMENSIONS AND INSTALLATION INFORMATION (IN INCHES)

**EXHAUST OPTION:** When viewed from the front of the unit, exhaust 3-way via rear, left and bottom. Dryer is shipped exhausted to the rear. Alternate exhausting knockouts are supplied.

**GAS:** An individual, properly-grounded branch circuit, with a three-prong grounding-type receptacle, protected by a 15-amp circuit breaker or a time-delay fuse is required.

**GAS DRYER ELECTRIC RATING:**  
120V, 60Hz, 6A

**GAS (BTU/HR):** 22,000. Factory-equipped for natural gas. Tested for LP gas. LP gas supply requires a conversion kit. Check installation instructions for correct kit and have a qualified gas technician install a conversion kit. See dryer ducting information for proper installation.

**NOTE:** Dryer wall outlet must be located within 36" of service cord entry and accessible when dryer is mounted in position.

### INSTALLATION INFORMATION:

For complete information, see installation instructions packed with your dryer. A reliable WiFi network is required. A 6 ft. power cord is required and sold separately. Order WX9X4 for the 3-prong power cord and WX9X20 for the 4-prong power cord.

\*Please visit [GEAppliances.com/commerciallaundry](http://GEAppliances.com/commerciallaundry) to begin account set up prior to unit delivery

### SPECIAL INSTALLATION REQUIREMENTS

#### ALCOVE OR CLOSET INSTALLATION:

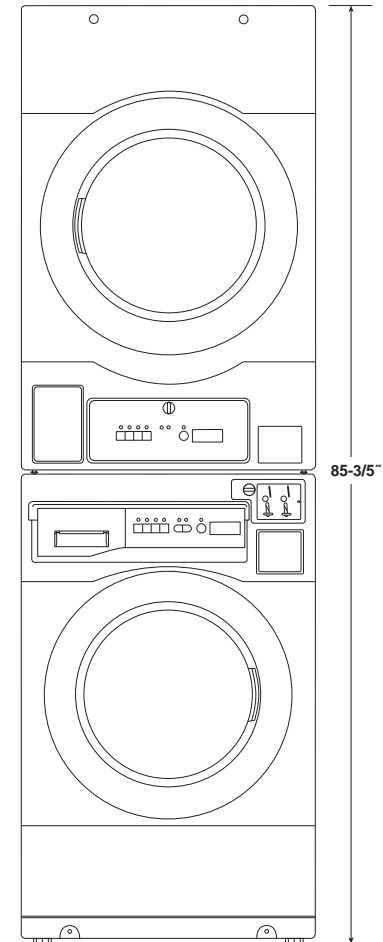
- If your dryer is approved for installation in an alcove or closet, it will be stated on a label on the dryer back.
- The dryer **MUST** be exhausted to the outside.
- Minimum clearances between dryer cabinet and adjacent walls or other surfaces are: 0" either side; 1" front, top and rear
- Closet doors must be louvered or otherwise ventilated and must contain a minimum of 60 sq. in. of open area equally distributed. If this closet contains both a washer and a dryer, doors must contain a minimum of 120 sq. in. of open area equally distributed.
- No other fuel-burning appliance shall be installed in the same closet with a gas dryer.
- The installation must conform with the local codes, or in the absence of local codes, with the National Electric Code and National Fuel Gas Code, ANSI Z223 for gas dryers.

#### MINIMUM CLEARANCES OTHER THAN ALCOVE OR CLOSET INSTALLATION:

- Minimum clearances to combustible surfaces are: 0" both sides; 1" rear

#### DRYER EXHAUSTING INFORMATION:

Use metal duct only, vertical and horizontal ducting.



\*Coin accessories sold separately.  
For answers to your GE Commercial Laundry product questions, visit our website at [www.geappliances.com/commerciallaundry](http://www.geappliances.com/commerciallaundry).



Specification Revised 11/22

# VFD31GDSRWW

## GE® Commercial 7.7 cu. ft. Capacity Gas Dryer with Built-In App-Based Payment System, Coin Compatible\*

**FOR COMPLETE INFORMATION, SEE INSTALLATION INSTRUCTIONS PACKED WITH YOUR DRYER.**

### DUCTING MATERIALS:

For best performance, this dryer should be vented with 4" diameter all rigid metal exhaust duct. If rigid metal duct cannot be used, then UL-listed flexible metal (semi-rigid) ducting can be used (Kit WX08X10077). In special installations, it may be necessary to connect the dryer to the house vent using a flexible metal (foil-type) duct. A UL-listed flexible metal (foil-type) duct may be used ONLY in installations where rigid metal or flexible metal (semi-rigid) ducting cannot be used AND where a 4" diameter can be maintained throughout the entire length of the transition duct. Please see installation instruction packed with your dryer for complete instructions when using flexible metal (foil type) ducting.

### EXHAUST LENGTH CALCULATION:

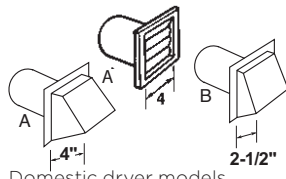
1. Determine the number of 90° turns needed for your installation. If you exhaust to the side or bottom of dryer, add one turn.
2. The maximum length of 4" rigid (aluminum or galvanized) duct which can be tolerated is shown in the table. A turn of 45° or less may be ignored. Two 45° turns within the duct length should be treated as a 90° elbow. A turn over 45° should be treated as a 90° elbow.

Dryers **must** be exhausted to the outside.

**CAUTION:** For personal safety do not terminate exhaust into a chimney, under any enclosed house floor (crawl space), or into an attic, since the accumulated lint could create a fire hazard or moisture could cause damage. Never terminate the exhaust into a common duct or plenum with a kitchen exhaust, since the combination of lint and grease could create a fire hazard.

Exhaust ducts should be terminated in a dampered wall cap to prevent back drafts, bird nesting, etc. The wall cap must also be located at least 12" above the ground or any other obstruction with the opening pointed down.

### DRYER EXHAUSTING INFORMATION— USE METAL DUCT ONLY VERTICAL AND HORIZONTAL DUCTING



|                       |                     | BEST PERFORMANCE                          |                  |
|-----------------------|---------------------|---|------------------|
|                       |                     | Maximum length of 4" dia rigid metal duct |                  |
|                       |                     | Exhaust hood type                         |                  |
| Domestic dryer models | Number of 90° turns | A 4" opening                              | B 2-1/2" opening |
|                       | 0                   | 120 ft.                                   | 90 ft.           |
|                       | 1                   | 100 ft.                                   | 75 ft.           |
|                       | 2                   | 85 ft.                                    | 65 ft.           |
|                       | 3                   | 70 ft.                                    | 55 ft.           |
|                       | 4                   | 60 ft.                                    | 45 ft.           |
| VTD52                 | 5                   | 55 ft.                                    | 35 ft.           |

For every extra 90° elbow, reduce the allowable vent system length by 10 ft.  
Two 45° elbows will be treated like one 90° elbow.  
For the side exhaust installations, add one 90° elbow to the chart.  
When calculating the total vent system length, you must add all the straight portions and elbows of the system (including the transition duct).



\*Coin accessories sold separately.  
For answers to your GE Commercial Laundry product questions, visit our website at [www.geappliances.com/commerciallaundry](http://www.geappliances.com/commerciallaundry).

# VFD31GDSRWW

## GE® Commercial 7.7 cu. ft. Capacity Gas Dryer with Built-In App-Based Payment System, Coin Compatible\*

### FEATURES AND BENEFITS

**Built-In, Coinless Payment System\*\*** - Eliminates the hassle of coins with the easiest, smartest, built-in QR code payment system.

\*\*3rd party processing fees apply

**Launderday™ User App** - Offers tenants and guests a modern laundry experience that saves them time with secure contactless payment, cycle notifications, machine availability status, and more.

**SmartHQ™ Management** - Owner's Dashboard centralizes critical laundry management information, including site revenues, machine status, pricing activities, and refund requests.

**Protected with Microban®** - Antimicrobial technology built into high-touch elements on the control panel.

**7.7 cu. ft. Capacity** - Maximizes revenue with an extra-large capacity that delivers the drying experience that tenants and guests expect.

**Payment Flexibility** - This commercial laundry, with payment flexibility allows for optional acceptance of coin payment, built-in QR payment, or both.

**Up to 120 ft. Venting** - Maximize your dryer's performance with innovative venting, designed to provide optimal airflow, enhanced drying ability, and flexible installation.

**Factory Service Network** - An experienced customer service team and local GE Appliances repair professionals provide service in more than 300 cities nationwide.

Model VFD31GDSRWW - White



Call: (503) 678-1699

info@cascadialaundry.com

PO Box 433 Donald, OR 97020



### OPTIONAL COIN ACCESSORIES

|           |   |
|-----------|---|
| VFA31DCDT | GE Commercial FL31 double coin drop for stacked units |
| VKAUNICBT | GE Commercial universal coin box                      |

\*Coin accessories sold separately.