

VTD56GASVWB

GE® 7.4 cu. ft. Capacity Gas Dryer with Sensor Dry, Built-In App Payment System and Optional Coin Drop,* Front Serviceability and 5-Year Warranty

DIMENSIONS AND INSTALLATION INFORMATION (IN INCHES)

EXHAUST OPTION: When viewed from the front of the unit, exhaust 3-way via rear, left and bottom. Dryer is shipped exhausted to the rear. Alternate exhausting knockouts are supplied.

GAS: An individual, properly-grounded branch circuit, with a three-prong grounding-type receptacle, protected by a 15 or 20 amp circuit breaker or a time-delay fuse is required.

GAS DRYER ELECTRIC RATING: 120V, 60Hz, 6A

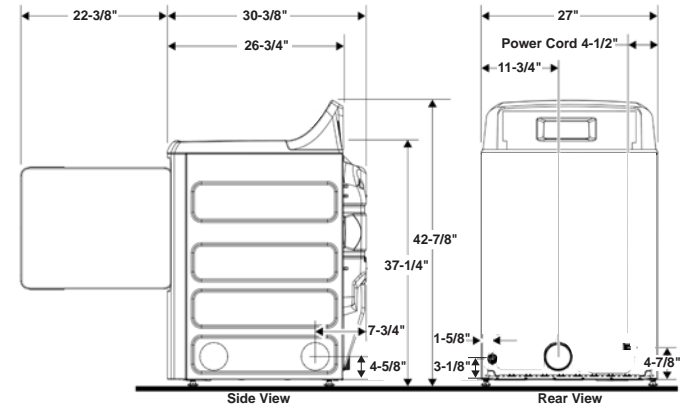
GAS (BTU/HR): 22,000. Factory-equipped for natural gas. Tested for LP gas. LP gas supply requires a conversion kit. Check installation instructions for correct kit and have a qualified gas technician install a conversion kit. See dryer ducting information for proper installation.

NOTE: Dryer wall outlet must be located within 36" of service cord entry and accessible when dryer is mounted in position.

INSTALLATION INFORMATION:

For complete information, see installation instructions packed with your dryer. A reliable WiFi network is required.

*Please visit GEAppliances.com/commerciallaundry to begin QR code payment account set up prior to unit delivery



SPECIAL INSTALLATION REQUIREMENTS

ALCOVE OR CLOSET INSTALLATION:

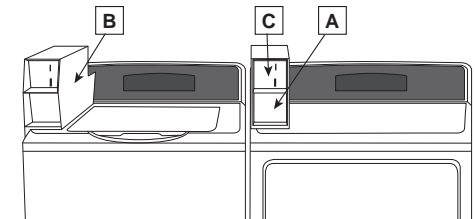
- If your dryer is approved for installation in an alcove or closet, it will be stated on a label on the dryer back.
- The dryer MUST be exhausted to the outside.
- Minimum clearances between dryer cabinet and adjacent walls or other surfaces are: 0" either side; 1" front, top and rear
- Closet doors must be louvered or otherwise ventilated and must contain a minimum of 60 sq. in. of open area equally distributed. If this closet contains both a washer and a dryer, doors must contain a minimum of 120 sq. in. of open area equally distributed.
- No other fuel-burning appliance shall be installed in the same closet with a gas dryer.
- The installation must conform with the local codes, or in the absence of local codes, with the National Electric Code and National Fuel Gas Code, ANSI Z223 for gas dryers.

MINIMUM CLEARANCES OTHER THAN ALCOVE OR CLOSET INSTALLATION:

- Minimum clearances to combustible surfaces are: 0" both sides; 1" rear

DRYER EXHAUSTING INFORMATION:

Use metal duct only, vertical and horizontal ducting.



A	VKAUNICBT	GE COMMERCIAL UNIVERSAL COIN BOX
B	VTA56CHKT	GE COMMERCIAL COIN HOUSING KIT
C	VTA56SCDT	GE COMMERCIAL SINGLE COIN DROP

*Coin Accessories Sold Separately



For answers to your GE Commercial Laundry product questions, visit our website at www.geappliances.com/commerciallaundry.



Specification Revised 12/22

VTD56GASVWB

GE® 7.4 cu. ft. Capacity Gas Dryer with Sensor Dry, Built-In App Payment System and Optional Coin Drop,* Front Serviceability and 5-Year Warranty

FOR COMPLETE INFORMATION, SEE INSTALLATION INSTRUCTIONS PACKED WITH YOUR DRYER.

DUCTING MATERIALS:

For best performance, this dryer should be vented with 4" diameter all rigid metal exhaust duct. If rigid metal duct cannot be used, then UL-listed flexible metal (semi-rigid) ducting can be used (Kit WX08X10077). In special installations, it may be necessary to connect the dryer to the house vent using a flexible metal (foil-type) duct. A UL-listed flexible metal (foil-type) duct may be used ONLY in installations where rigid metal or flexible metal (semi-rigid) ducting cannot be used AND where a 4" diameter can be maintained throughout the entire length of the transition duct. Please see installation instruction packed with your dryer for complete instructions when using flexible metal (foil type) ducting.

EXHAUST LENGTH CALCULATION:

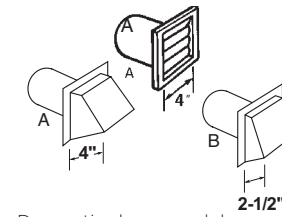
1. Determine the number of 90° turns needed for your installation. If you exhaust to the side or bottom of dryer, add one turn.
2. The maximum length of 4" rigid (aluminum or galvanized) duct which can be tolerated is shown in the table. A turn of 45° or less may be ignored. Two 45° turns within the duct length should be treated as a 90° elbow. A turn over 45° should be treated as a 90° elbow.

Dryers **must** be exhausted to the outside.

CAUTION: For personal safety do not terminate exhaust into a chimney, under any enclosed house floor (crawl space), or into an attic, since the accumulated lint could create a fire hazard or moisture could cause damage. Never terminate the exhaust into a common duct or plenum with a kitchen exhaust, since the combination of lint and grease could create a fire hazard.

Exhaust ducts should be terminated in a dampered wall cap to prevent back drafts, bird nesting, etc. The wall cap must also be located at least 12" above the ground or any other obstruction with the opening pointed down.

DRYER EXHAUSTING INFORMATION— USE METAL DUCT ONLY VERTICAL AND HORIZONTAL DUCTING



	Number of 90° turns	BEST PERFORMANCE	
		Maximum length of 4" dia rigid metal duct	
Domestic dryer models		Exhaust hood type	
		A 4" opening	B 2-1/2" opening
	0	120 ft.	90 ft.
	1	100 ft.	75 ft.
	2	85 ft.	65 ft.
	3	70 ft.	55 ft.
	4	60 ft.	45 ft.
VTD52	5	55 ft.	35 ft.

For every extra 90° elbow, reduce the allowable vent system length by 10 ft. Two 45° elbows will be treated like one 90° elbow. For the side exhaust installations, add one 90° elbow to the chart. When calculating the total vent system length, you must add all the straight portions and elbows of the system (including the transition duct).



For answers to your GE Commercial Laundry product questions, visit our website at www.geappliances.com/commerciallaundry.

VTD56GASVWB

GE® Commercial 7.4 cu. ft. Capacity Gas Dryer with Built-In App-Based Payment System, Coin Compatible*

FEATURES AND BENEFITS

Built-In, Coinless Payment System – Eliminate the hassle of coins with the easiest, smartest, built-in QR code laundry POS system. 3rd party processing fees apply.

Launderday™ User App – Enhance the commercial laundry user experience with the Launderday™ User App. Offer customers access to contactless payment and cycle notifications for a modern laundry experience.

SmartHQ™ Management – SmartHQ™ Management Owner's Dashboard offers a centralized space for managing site revenues, machine status, pricing activities and refund requests.

Microban® Protection – Antimicrobial technology is built in to critical areas of this ultrafresh commercial laundry, including the control panel and the lint filter of the dryer.

Payment Flexibility – This commercial laundry with payment flexibility allows for optional acceptance of coin payment, built-in QR payment or both.

Commercial Grade Components – Enjoy lasting performance from built-to-last commercial laundry parts, including upgraded hinges, reversable door, Aluminized Alloy Drum, fully front serviceable galvanized steel cabinet, captouch controls, XL metal heat diffuser and close latches.

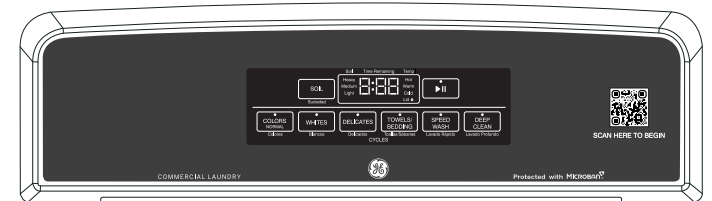
Extra-Large Dryer Capacity – Maximize revenue with a 7.4 cu. ft. capacity dryer that delivers the drying experience that customers expect.

Innovative Venting – This commercial dryer with up to 120 foot venting size provides for optimal airflow, enhanced drying ability and flexible installation.

5 Year Warranty – Enjoy peace of mind thanks to this commercial laundry with 5-year limited parts warranty.

Parts Promise – The commercial laundry parts promise ensures that the most common components are on hand and available for shipment within one business day.

Model VTD56GASVWB – White



VTW565ASVWB

GE® Commercial 3.8 cu. ft. Capacity Washer
with Built-In App-Based Payment System, Coin Compatible*

DIMENSIONS AND INSTALLATION INFORMATION (IN INCHES)

CIRCUIT REQUIREMENTS: An individual, properly-grounded branch circuit, with a three-prong grounding-type receptacle, protected by a 15 or 20 amp circuit breaker or a time-delay fuse, is required.

ELECTRICAL RATING:

120V, 60Hz

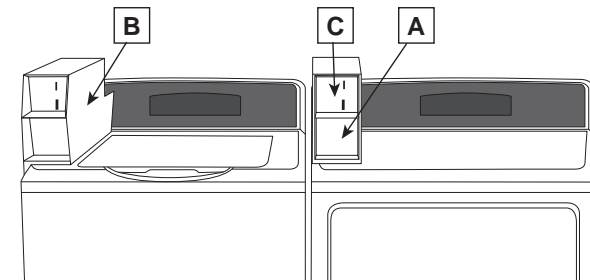
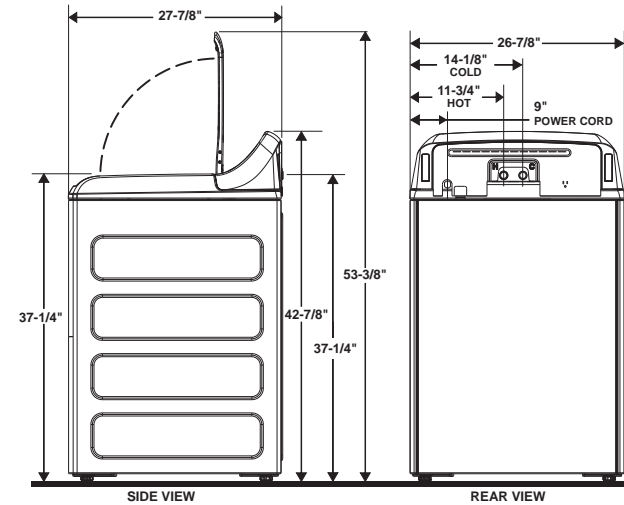
WASHER NOTE:

Washer wall outlet must be located within 36" of service cord entry.
Wall outlet must not be located behind dryer.

INSTALLATION INFORMATION:

Before installing, consult installation instructions packed with your washer. A reliable WiFi network is required.

*Please visit GEAppliances.com/commerciallaundry to begin QR code payment account set up prior to unit delivery



A	VKAUNICBT	GE COMMERCIAL UNIVERSAL COIN BOX
B	VTA56CHKT	GE COMMERCIAL COIN HOUSING KIT
C	VTA56SCDT	GE COMMERCIAL SINGLE COIN DROP

*Coin Accessories Sold Separately



For answers to your GE Commercial Laundry product questions, visit our website at www.geappliances.com/commerciallaundry.



Listed by Underwriters Laboratories

Specification Revised 9/22

VTW565ASVWB

GE® Commercial 3.8 cu. ft. Capacity Washer with Built-In App-Based Payment System, Coin Compatible*

FEATURES AND BENEFITS

Built-In, Coinless Payment System - Eliminate the hassle of coins with the easiest, smartest, built-in QR code laundry POS system.

Launderday™ User App - Enhance the commercial laundry user experience with the Launderday™ User App. Offer customers access to contactless payment and cycle notifications for a modern laundry experience.

SmartHQ™ Management - SmartHQ™ Management Owner's Dashboard offers a centralized space for managing site revenues, machine status, pricing activities and refund requests.

Microban® Protection - Antimicrobial technology is built in to critical areas of this ultrafresh commercial laundry, including the control panel and the lint filter of the dryer.

Payment Flexibility - This commercial laundry with payment flexibility allows for optional acceptance of coin payment, built-in QR payment or both.

Commercial Grade Components - Enjoy lasting performance from built-to-last commercial laundry parts, including a heavy-duty agitator, fully front serviceable galvanized steel cabinet, cap-touch controls, 1/2 horsepower motor, stainless steel wash basket and metal transmission.

Extra-Large Washer Capacity - Maximize revenue with a 3.8 cu. ft. washer that delivers the wash experience that tenants and guests expect.

800RPM Spin Speed - A higher spin speed maximizes water extraction.

5 Year Warranty - Enjoy peace of mind thanks to this commercial laundry with 5-year limited parts warranty.

Parts Promise - The commercial laundry parts promise ensures that the most common components are on hand and available for shipment within one business day.

Model VTW565ASVWB - White

